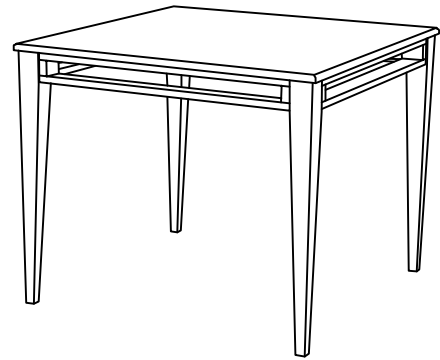


BUTLER

SPECIALTY COMPANY

8200 SOUTH CHICAGO AVE., CHICAGO, IL 60617

Assembly Instructions
Style Number 5712

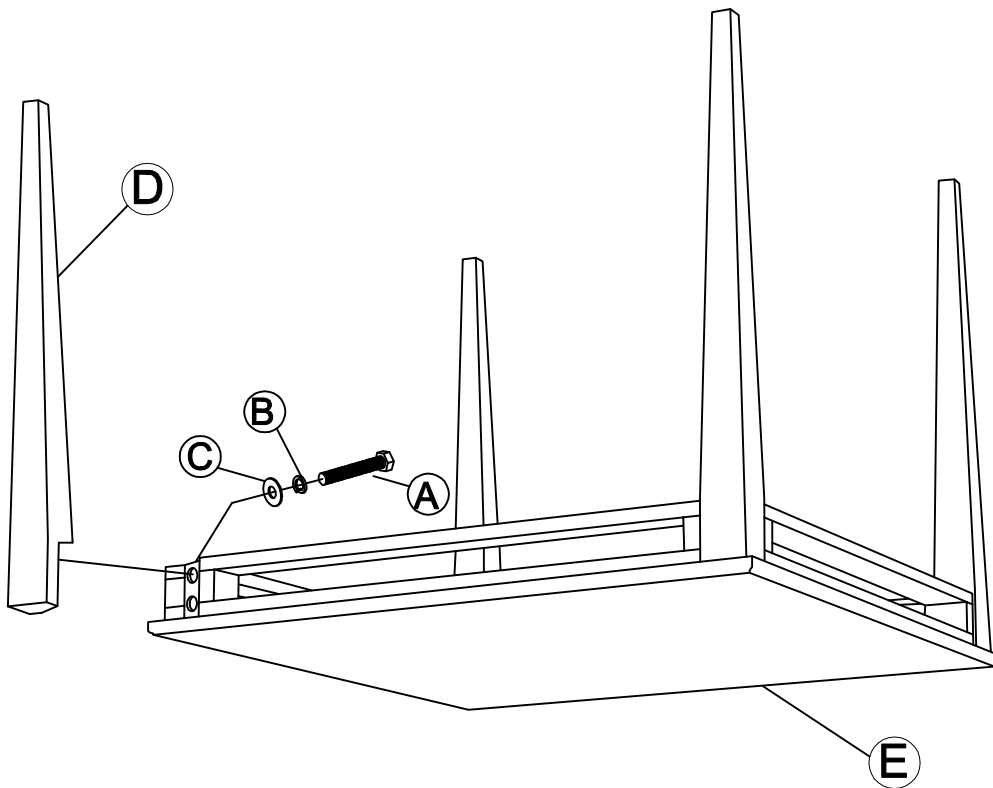


PACKAGED

- (A) 8- Bolt $\text{Ø}5/16 \times 2-1/4$ "L
- (B) 8- Lock Washer $\text{Ø}5/16$ "
- (C) 8- Flat Washer $\text{Ø}5/16$ "

Read all instructions before starting assembly.

- (D) 4- Legs
- (E) 1- Top



(*Caution:DO NOT OVERTIGHTEN

In any correspondence regarding this product, please include the complete Butler identification number located on the underside of the product.

We hope this Game table will be a useful and decorative addition to your home for years to come.

COPYRIGHT BUTLER SPECIALTY COMPANY, 10/2022